

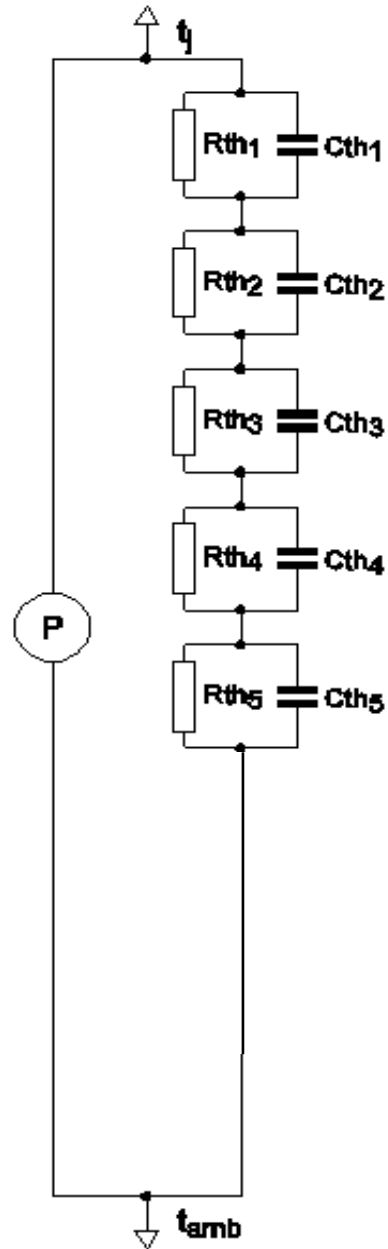
### SPICE thermal model

BUK9Y1R6-40H

Symbol	Parameter	Conditions	Min	Typ	Max	Unit
$R_{th(j-mb)}$	thermal resistance from junction to mounting base		-	-	0.51	K/W

$C_{th1}$     6.191E-03 F  
 $C_{th2}$     3.071E-02 F  
 $C_{th3}$     9.610E-04 F  
 $C_{th4}$     7.847E-03 F  
 $C_{th5}$     2.799E-03 F

$R_{th1}$     0.29785  $\Omega$   
 $R_{th2}$     0.138491  $\Omega$   
 $R_{th3}$     0.005563  $\Omega$   
 $R_{th4}$     0.045414  $\Omega$   
 $R_{th5}$     0.024433  $\Omega$



Part: BUK9Y1R6-40H

Date: 4/5/2018

Model Rth 0.51 K/W